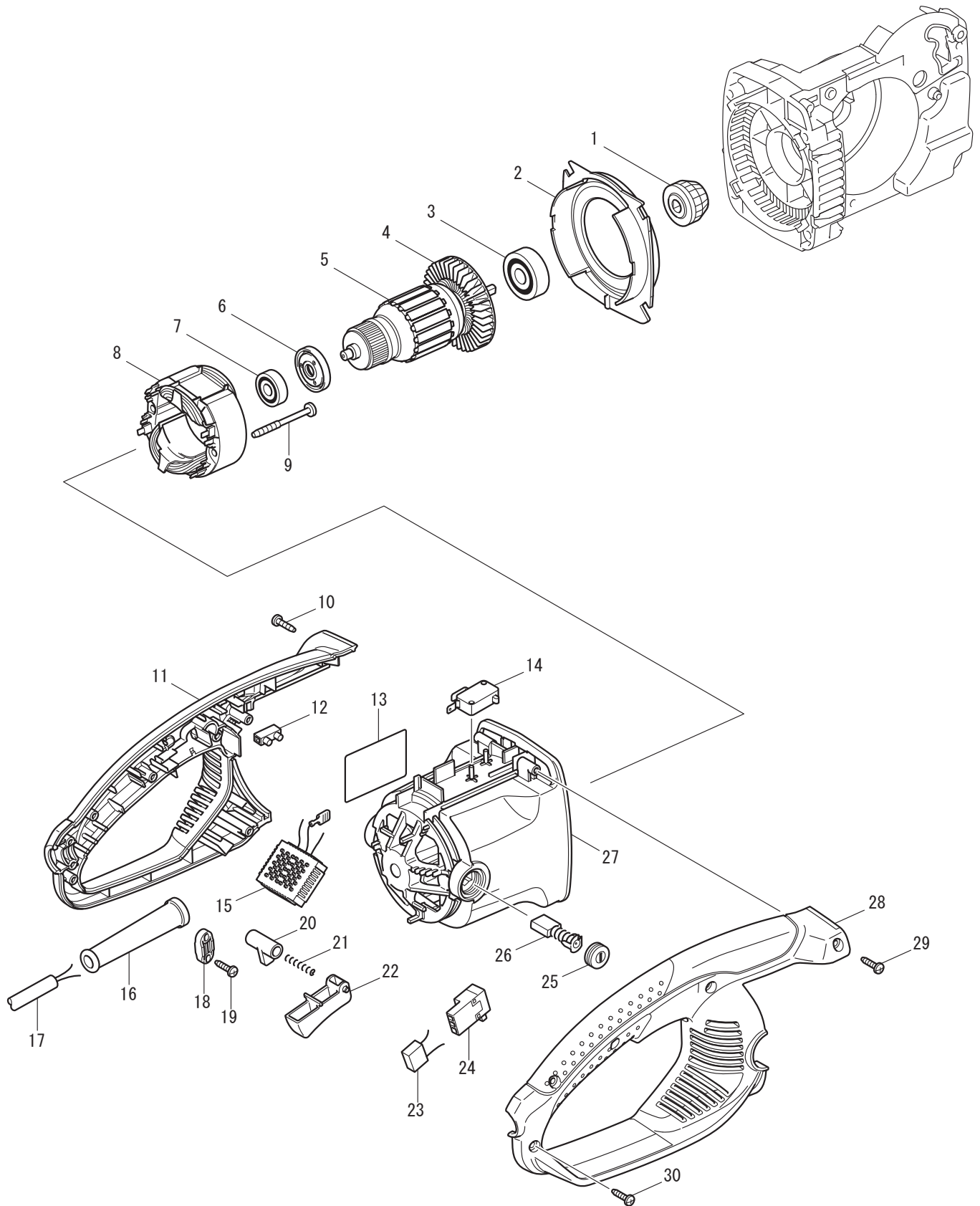
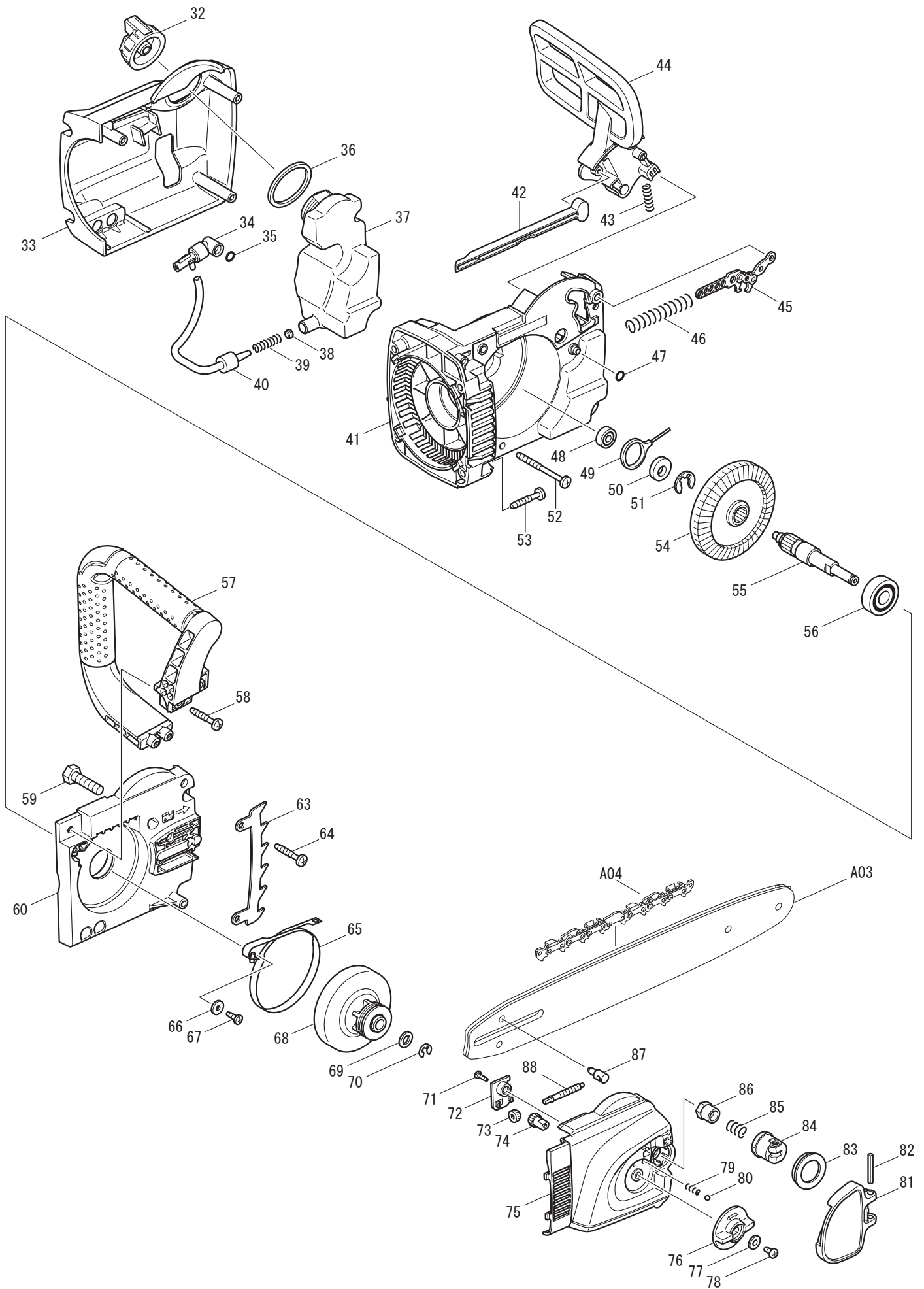




04 - 2010
UC4030A (MCC)
15.0A CHAIN 16" 3/8"





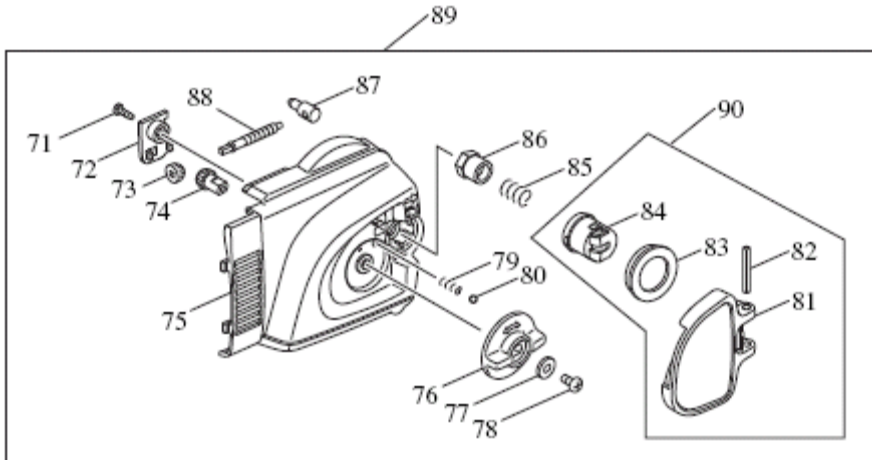
Item No.	Part No.	Description	Qty	Unit
1	226743-8	STRAIGHT BEVEL GEAR 14	1	PC.
2	419410-4	BAFFLE PLATE	1	PC.
3	211111-8	BALL BEARING 6301LLB	1	PC.
4	240001-8	FAN 80	1	PC.
5	616966-0	ARMATURE 115V	1	PC.
6	681666-1	RESIN WASHER	1	PC.
7	210081-8	BALL BEARING 629ZZ	1	PC.
8	639532-6	FIELD 115V	1	PC.
9	266095-5	TAPPING SCREW 5X55	2	PC.
10	265995-6	TAPPING SCREW 4X18	1	PC.
11	188820-3	HANDLE SET	1	SET
	INC. 810199-1	CAUTION LABEL	1	PC.
13	867113-8	UC4030A NAME PLATE	1	PC.
14	650577-1	SWITCH SD-006-BB2AA-AA	1	PC.
15	631720-1	CONTROLLER	1	PC.
16	682574-9	CORD GUARD 10-90	1	PC.
17	664980-0	POWER SUPPLY CORD #14-2-0.3	1	PC.
18	687124-5	STRAIN RELIEF	1	PC.
19	265995-6	TAPPING SCREW 4X18	2	PC.
20	416178-3	LOCK-OFF BUTTON	1	PC.
21	233173-6	COMPRESSION SPRING 4	1	PC.
22	419411-2	SWITCH LEVER	1	PC.
24	651923-1	SWITCH TG70B SINGLE W/O LOCK	1	PC.
25	643650-4	BRUSH HOLDER CAP 6.5-13.5	2	PC.
26	194986-9	CARBON BRUSH CB-153	1	SET
27	154867-9	MOTOR HOUSING COMPLETE	1	PC.
	INC. 643653-8	BRUSH HOLDER 6.5-13.5	2	PC.
28	188820-3	HANDLE SET	1	SET
	INC. 810199-1	CAUTION LABEL	1	PC.
29	265995-6	TAPPING SCREW 4X18	1	PC.
30	265995-6	TAPPING SCREW 4X18	5	PC.
32	154870-0	TANK CAP COMPLETE	1	PC.
33	158050-0	GEAR HOUSING COVER COMPLETE	1	PC.
	INC. 810891-9	CAUTION LABEL	1	PC.
34	140089-7	OIL PUMP COMPLETE	1	PC.
35	213039-6	O RING 6	1	PC.
36	421959-2	SPONGE SEAL	1	PC.
37	419407-3	OIL TANK	1	PC.
38	416274-7	CAP	1	PC.
39	231975-4	SPRING	1	PC.
40	421958-4	OIL TUBE	1	PC.
41	419408-1	GEAR HOUSING	1	PC.
42	419413-8	ROD	1	PC.
43	233174-4	COMPRESSION SPRING 6	1	PC.
44	451130-4	FRONT HAND GUARD	1	PC.
45	158044-5	LINK PLATE COMPLETE	1	PC.
46	234005-0	COMPRESSION SPRING 9	1	PC.
47	213039-6	O RING 6	1	PC.
48	211012-0	BALL BEARING 606ZZ	1	PC.
49	450230-7	CRANK	1	PC.
50	417405-1	CAM	1	PC.
51	259034-2	RETAINING RING E TYPE 10	1	PC.
52	266095-5	TAPPING SCREW 5X55	2	PC.

Item No.	Part No.	Description	Qty	Unit
53	266173-1	TAPPING SCREW 5X30	4	PC.
54	226741-2	STRAIGHT BEVEL GEAR 43	1	PC.
55	324662-3	SPINDLE	1	PC.
56	211107-9	BALL BEARING 6201ZZ	1	PC.
57	419409-9	FRONT HANDLE	1	PC.
58	266173-1	TAPPING SCREW 5X30	2	PC.
59	921452-1	HEX. BOLT M8X30	1	PC.
60	318013-0	BEARING HOUSING	1	PC.
63	345651-5	SPIKE BUMPER	1	PC.
64	266173-1	TAPPING SCREW 5X30	2	PC.
65	168426-3	BRAKE BAND	1	PC.
66	267195-4	FLAT WASHER 4	1	PC.
67	266026-4	TAPPING SCREW BIND CT 4X12	1	PC.
68	125331-7	BRAKE DRUM ASSEMBLY	1	PC.
69	253215-0	FLAT WASHER 8	1	PC.
70	259033-4	RETAINING RING E TYPE 6	1	PC.
71	266007-8	TAPPING SCREW BIND PT 3X10	1	PC.
72	419241-1	COVER	1	PC.
73	227496-2	STRAIGHT BEVEL GEAR 14	1	PC.
74	227495-4	STRAIGHT BEVEL GEAR 14	1	PC.
75	154869-5	SPROCKET COVER COMPLETE	1	PC.
76	419233-0	DIAL 40	1	PC.
77	253874-0	FLAT WASHER 4	1	PC.
78	915106-0	BINDING HEAD SCREW M4X8	1	PC.
79	233033-2	COMPRESSION SPRING 4	1	PC.
80	216008-6	STEEL BALL 4	1	PC.
81	154763-1	LEVER COMPLETE	1	PC.
82	951122-8	SPRING PIN 4-28	1	PC.
83	419271-2	CUP WASHER 20	1	PC.
84	317977-5	LEVER HOLDER	1	PC.
85	231025-5	COMPRESSION SPRING 8	1	PC.
86	252168-0	HEX. NUT M8-13	1	PC.
87	324621-7	ADJUST PIN	1	PC.
88	324620-9	ADJUST SCREW	1	PC.
89	188858-8	* SPROCKET COVER SET	1	PC.
	INC.	Item No. 71-88		
90	188859-6	* LEVER COMPLETE SET	1	PC.
	INC.	Item No. 81-84		
91	188929-1	* OIL PUMP COMPLETE SET (Added)	1	PC.
	INC.	Item No. 34, 35, 49		
100	810276-9	CAUTION LABEL	1	PC.
<u>ACCESSORIES</u>				
A01	419242-9	CHAIN COVER F/16"	1	PC.
A02	158024-1	HOOK COMPLETE(PARTS)	1	PC.
A03	165202-6	16" SPROCKET NOSE BAR 3/8" 50G	1	PC.
A04	528 092 656	3/8" LOW VIBRATION CHAIN 16" 50G 56LINK	1	PC.

SERVICE CHANGES

1. Breakdown of Item No. 89 and 90

Item No.	Description	Part No.
89	SPROCKET COVER SET	188858-8
90	LEVER COMPLETE SET	188859-6



2. Oil Pump Complete Set has become available for repair.

Item No.	Description	Part No.
91	Oil Pump Complete Set	188929-1

